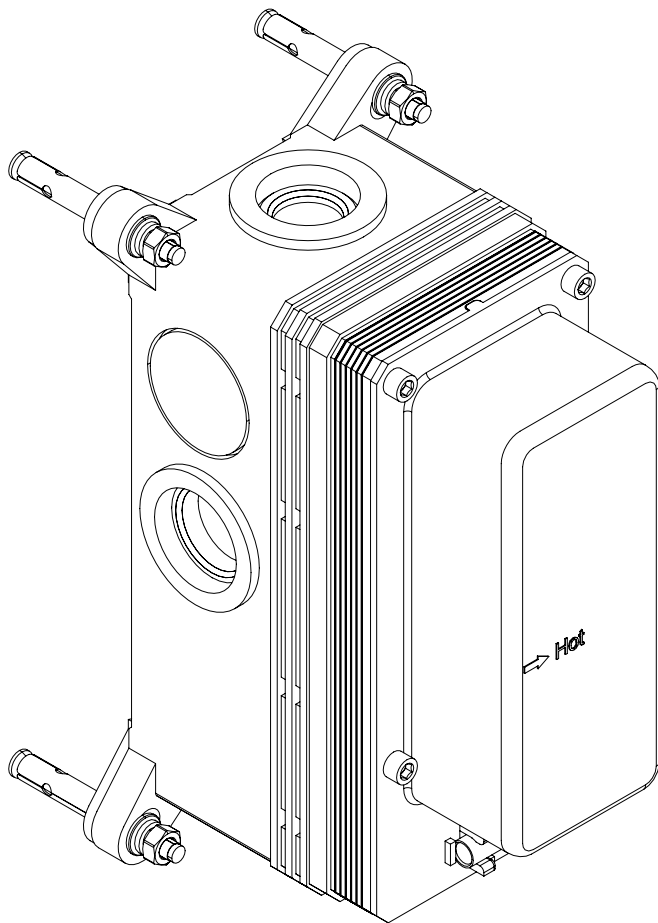


**COALBROOK**



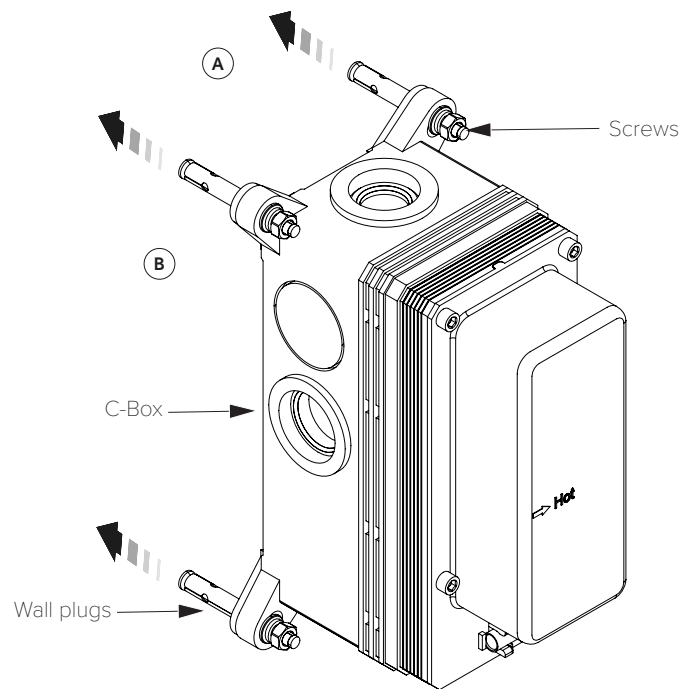
**C-BOX INSTALLATION**

---

CO3001 | CO3002 | CO3003

## C-BOX INSTALLATION (STEPS 1 -3)

### SOLID WALL



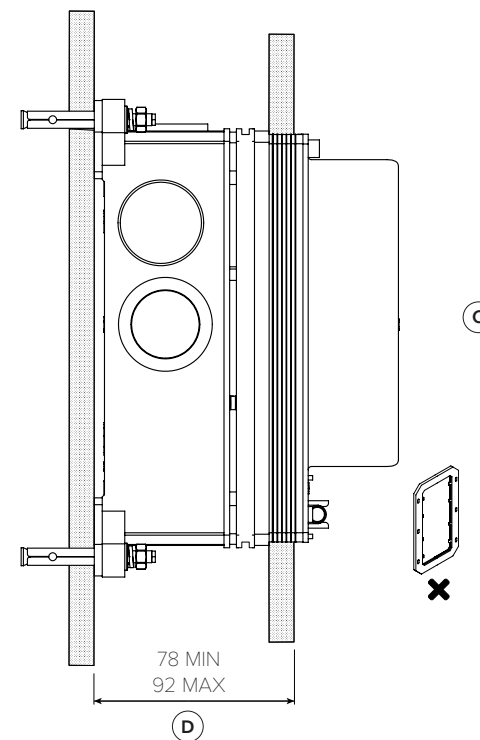
1. For solid wall installations, offer the C-Box thermostatic shower valve up to the mounting surface (A) and mark the desired drill locations.
2. Drill holes using a 6mm drill bit.
3. Insert the wall plugs into the holes then secure the thermostatic shower mixer valve with the screws provided (B). Check the spirit level towards the bottom of the shower valve to check it is vertically and horizontally level.

**COALBROOK**

www.coalbrookuk.co.uk | info@coalbrookuk.co.uk

## C-BOX INSTALLATION (STEPS 4 - 6) (mm)

### SOLID WALL



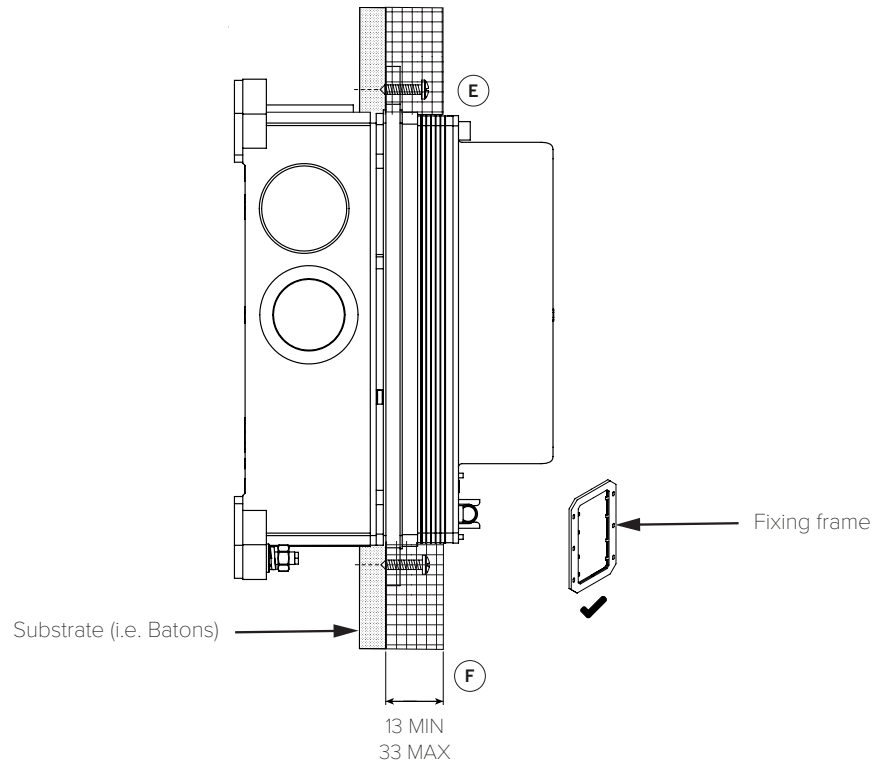
4. Connect the hot and cold water supplies to the 3/4" BSP inlets of the thermostatic shower valve. The hot connection must be made on the left hand side port, and the cold connection on the right hand side port. Any outlet connections must be made also. See connection diagrams for details.
5. Check all connections for leaks and ensure the dust covers are securely assembled (C) before concealing pipework and continuing installation.
6. The thermostatic valve can now be concealed by the finished wall. Ensure the depth that the valve is positioned in the wall complies with the minimum and maximum measurement shown in the diagram above (D).

**COALBROOK**

www.coalbrookuk.co.uk | info@coalbrookuk.co.uk

## C-BOX INSTALLATION (STEPS 7-9) (mm)

### CAVITY WALL



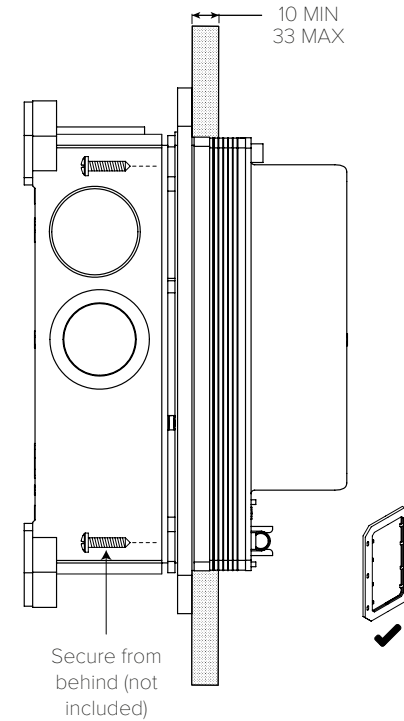
7. For a cavity wall installation, secure the C-Box directly onto the installed substrate. The two-part fixing frame (E) must be assembled to the C-Box. This can be achieved by clipping the two-halves into the grooves present on the outer perimeter of the C-Box housing.
8. Once fixed in place, connect the hot and cold water supplies to the 3/4" BSP inlets of the thermostatic shower valve, and the outlet connections. See connection diagrams for details.
9. The thermostatic valve can now be concealed by the finished wall. Ensure that the depth that the valve is positioned in the wall, complies with the minimum and maximum measurement, shown in the diagram above (F).

**COALBROOK**

www.coalbrookuk.co.uk | info@coalbrookuk.co.uk

## MAKING THE CONNECTIONS (STEP 10) (mm)

### CAVITY WALL

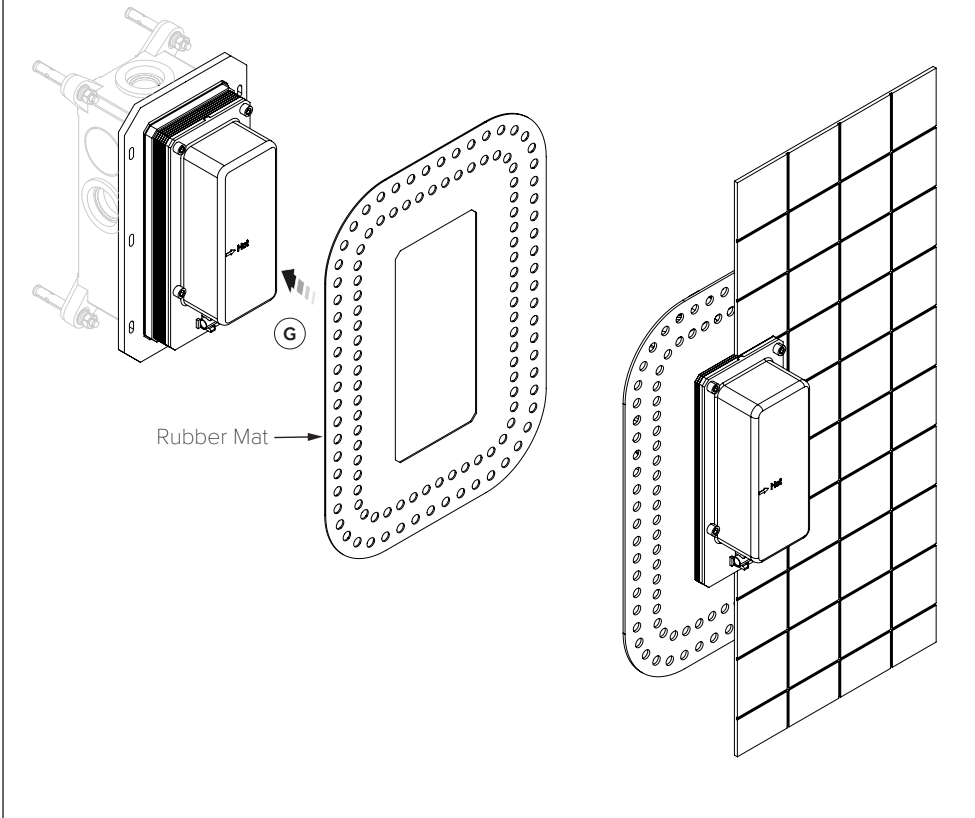


10. If access is available, the C-Box can also be secured by screwing into the substrate from the rear. The substrate needs to have substantial thickness, so that the chosen fixing screws do not break through the mounting surface.

**COALBROOK**

www.coalbrookuk.co.uk | info@coalbrookuk.co.uk

## C-BOX INSTALLATION (STEPS 11 - 12)

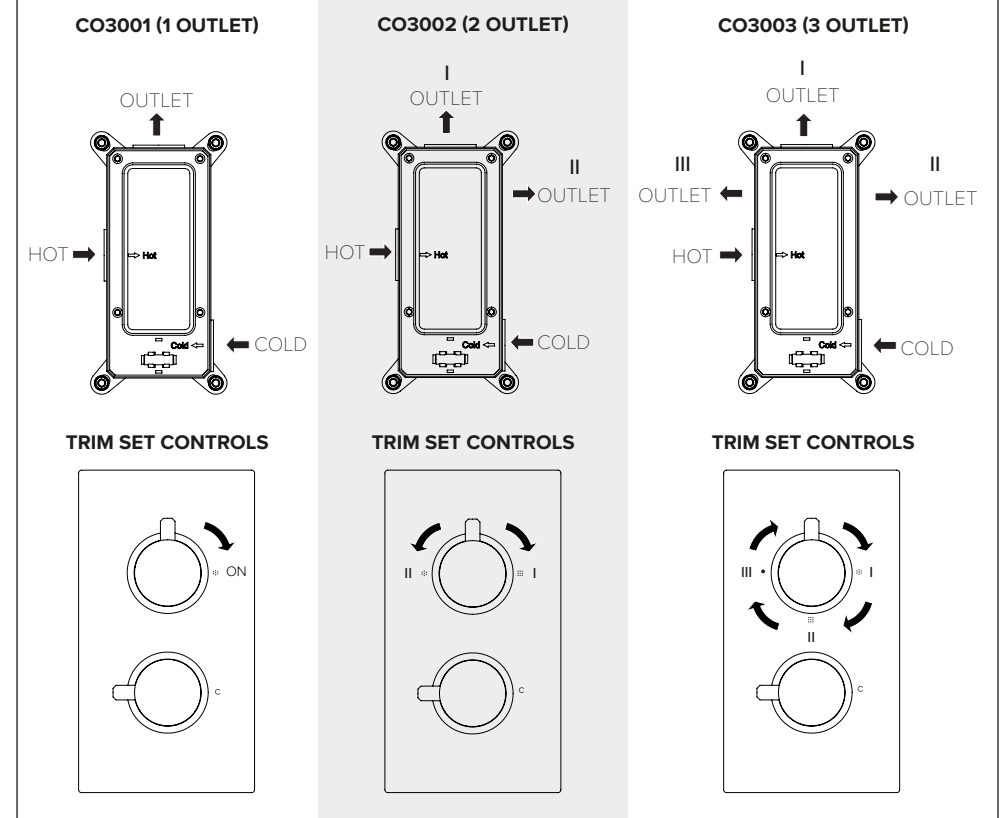


11. Prior to tiling the wall surrounding the thermostatic shower mixer, apply a sealing compound and affix the supplied rubber mat around the profile of the exposed thermostatic C-Box (G). This will prevent any water ingress to the shower.
12. Complete any tiling or wall finishings prior to the shower trims being installed onto the thermostatic shower valve.

**COALBROOK**

www.coalbrookuk.co.uk | info@coalbrookuk.co.uk

## MAKING THE CONNECTIONS

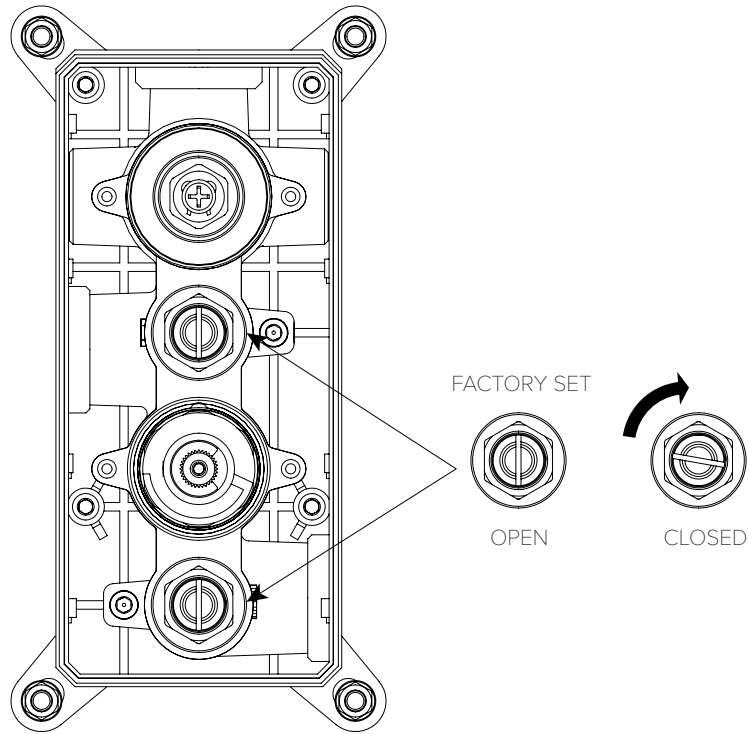


1. The inlet connections on all C-Box variants are 3/4" BSP female.
2. The outlet connections on all C-Box variants are 1/2" BSP female.
3. The diagrams above show the input and output locations for each variant of the C-Box thermostatic shower valve.
4. Check all connections for leaks and ensure to flush out all pipework before finishing installation of any shower heads, handshowers and spouts.

**COALBROOK**

www.coalbrookuk.co.uk | info@coalbrookuk.co.uk

## SERVICING THE VALVE

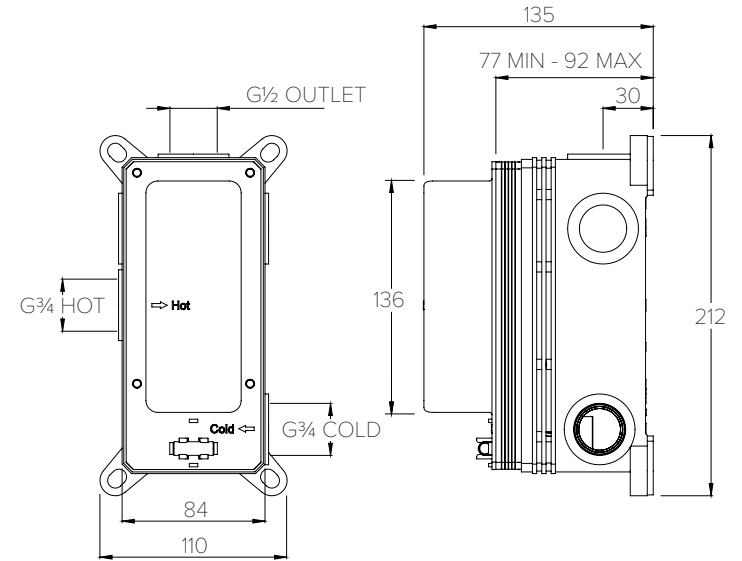


1. The thermostatic shower valve has two in-line non-return valves. They are factory set in the OPEN position.
2. If any servicing is required to the shower system, these non-return valves need to be fully screwed down. A flat-bladed screwdriver can be used to perform this.
3. Ensure that the non-return valves are fully opened before operating the shower system. Do not screw the non-return valve further than the hexagonal collar on the front face of the valve body.

**COALBROOK**

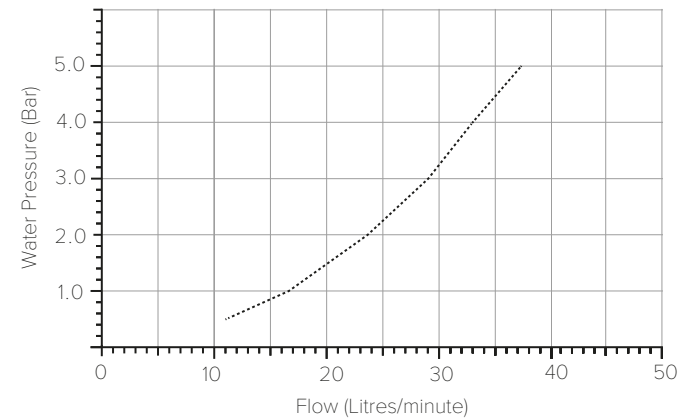
www.coalbrookuk.co.uk | info@coalbrookuk.co.uk

## SPECIFICATION ONE OUTLET (CO3001) (mm)



## TYPICAL FLOW RATES (CO3001)

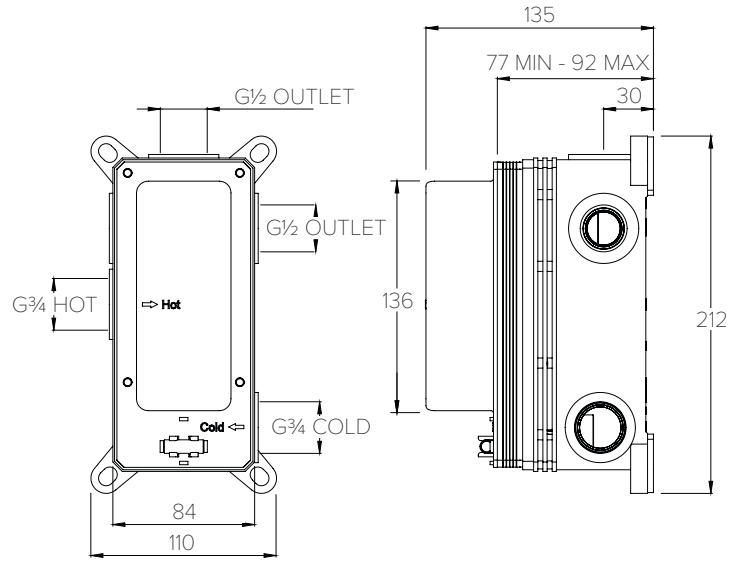
Flow rates shown are free-flowing and may vary subject to restrictions created by installation, pipework layout or application



**COALBROOK**

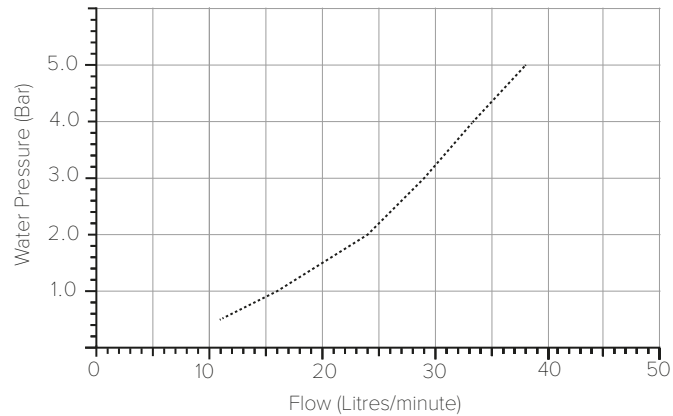
www.coalbrookuk.co.uk | info@coalbrookuk.co.uk

**SPECIFICATION TWO OUTLET (CO3002)**

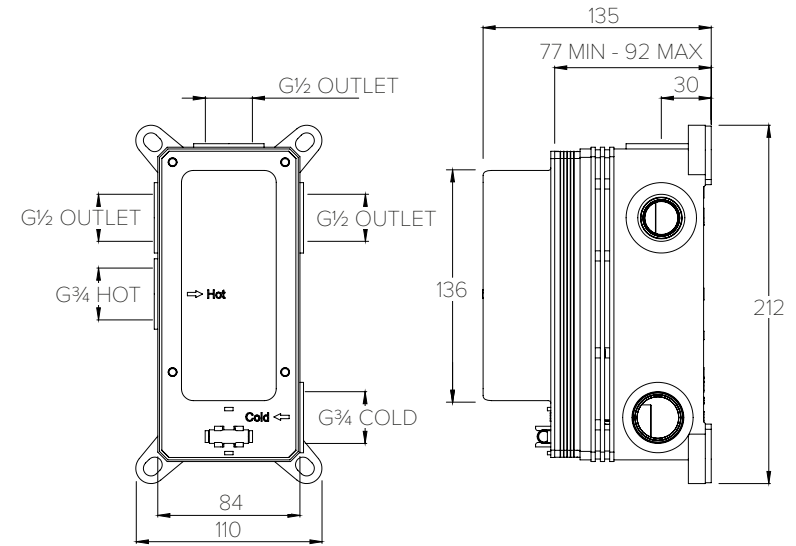


**TYPICAL FLOW RATES (CO3002)**

Flow rates shown are free-flowing and may vary subject to restrictions created by installation, pipework layout or application

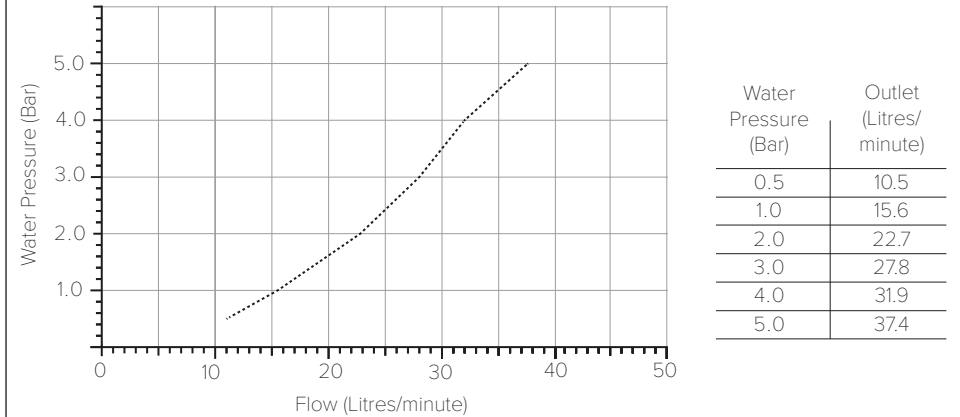


**SPECIFICATION THREE OUTLET (CO3003)**



**TYPICAL FLOW RATES (CO3003)**

Flow rates shown are free-flowing and may vary subject to restrictions created by installation, pipework layout or application





**COALBROOK**

Whilst every effort is made to ensure the accuracy of these, they are subject to change without notice as part of the company's product development process. The use of trademarks, product design and artwork is subject to licence or agreement. The design registrations, trademark registrations and copyrights are protected by law and the use or reproduction outside the terms of an agreement is prohibited.

The right to modify designs and dimensions is reserved. E & O.E.

**COALBROOK**

[www.coalbrookuk.co.uk](http://www.coalbrookuk.co.uk) | [info@coalbrookuk.co.uk](mailto:info@coalbrookuk.co.uk)